



Producer since 1973...



[www.krk.com.tr](http://www.krk.com.tr)

## Pionnering in sector

Producer  
Since 1973

PC Lighting fixtures 1982

Electronic Ballast 1995

True rms Measurement Devices 2002

True RMS Protection Relays 2002

Intelligent PFC 2002

Three Phase PFC 2006

Single phase Capacitor use in PFC 2006

Digital Timer 2010

New generation Overhead connectors 2018

Connectors for isolated Cables 2019

Lighting poles connectors 2019



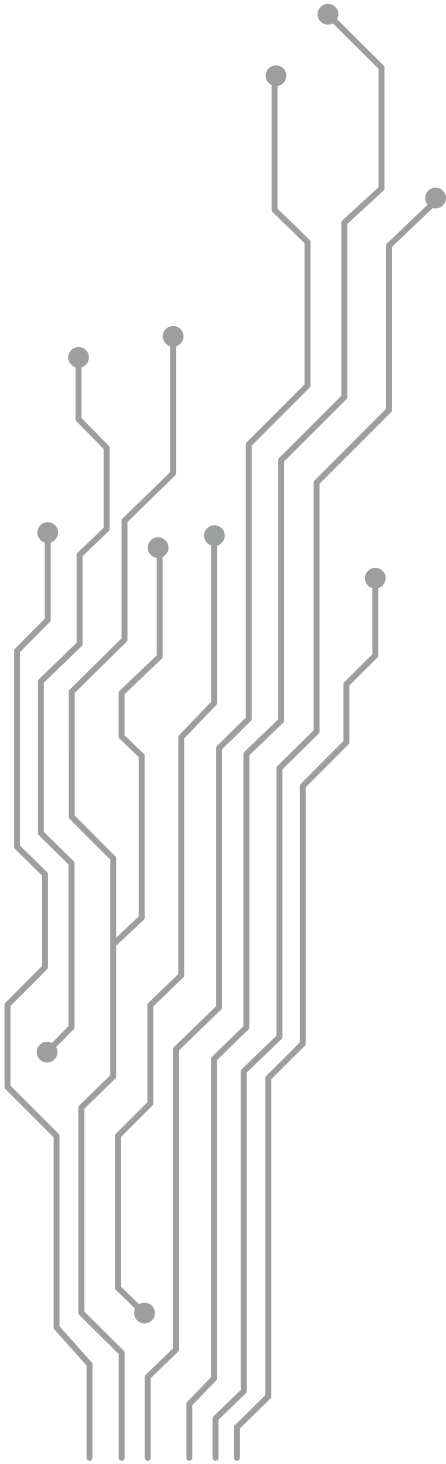
[www.krkmarket.com](http://www.krkmarket.com)

Have you ever visited  
our sales website?

## Trustfull Purchase

You can visit and follow our new products  
and services. You can utilize discounts by  
being a member





Our company is founded by Mr. Kemal KARACA and his partners at 1973. Since then with first day dynamism Krk continue to work and reformist products Krk is increasing its market share with its innovative, market oriented products produced by experienced team.

KRK is serving with Panel instruments, Electronic control devices, in its over 4000 sqm closed area and with its advanced technological know-how. Krk is exporting more than 45 countries its products that is developed By own mechanical and electronic R&D and moulding facility, own electronic, plastic and metal production.

We will continue serving you with our justified pride for more years.

# Price List Content

---

<b>COMPENSATION SOLUTIONS</b> .....	05
KPC .....	06
ZeroVAR 1P.....	06
MonoVAR.....	06
MrVAR.....	06
ZeroVAR PLUS.....	07
ZeroVAR PCS.....	07
ZeroVAR SVC.....	07
Three Phase Electronic Driver (SVC).....	07
Discharge Unit.....	07
<b>ENERGY MEASUREMENT SOLUTIONS</b> .....	09
Energy Analyzers.....	10
Energy Power Meters.....	10
Digital Multimeters.....	10
Digital Ampermeters.....	11
Digital Voltmeters.....	13
<b>ENERGY CONTROL AND PROTECTION SOLUTIONS</b> .....	15
Time Relays.....	16
Motor (phase) Protection Relays.....	18
Voltage Protection Relays.....	20
Liquid Level Control Relays.....	22
Temperature Controllers.....	23
Thermocouple.....	23
Photocell Relays.....	24
<b>ENERGY DISTRIBUTION SOLUTIONS</b> .....	26
Terminal and Panel Materials.....	27
Classic Groove Connector Al-Cu / Al-Al.....	27
Standard Groove Connector Al-Cu / Al-Al.....	27
Euro Groove Connector Al-Cu / Al-Al.....	27
Insulation Piercing Connector.....	28
Lighting Pole Terminals.....	28
For Distribution From Poles to Enduser.....	28
Anchor Cable Aerial Strain Clamp.....	28
High Voltage Phase Indicators.....	28
Long Length Cable Lugs.....	29
Cable Copper Connector.....	29
DIN 46235 Copper Cable Lugs.....	30
Cable DIN Norm Connector.....	30
Aluminum Cable Lugs.....	31
Cable Aluminum Connector.....	31
Earthing Terminals.....	32
Mini Plugin Terminals (PA66,Vo).....	34
Socketed Terminals .....	35
Terminal Strips.....	36
Panel Montage Rails.....	37
Section Rails & Neutral Earthing Bars.....	38
Signal Lamps/Dowel/W-Otomat Bracket.....	39

# Compensation Solutions





# Compensation Solutions

## Reactive Power Controllers and SVC



ZeroVAR PLUS 6



ZeroVAR PLUS 8



ZeroVAR PLUS 12



ZeroVAR PLUS 15



ZeroVAR PCS 12



ZeroVAR PCS 18



ZeroVAR SVC 12



ZeroVAR SVC 18

Order Code	Product Code	Product Description	Max. Number of Steps	Application mV	Dimension		Supply	Screen		Control				Measurements							Accessory		SVC (Activation via Device)	Box Qty.																	
					96 x 96	144 x 144	220 V AC	380 V AC	LED	LED	Single Phase Capacitor	Three Phase Capacitor	Single Phase Shunt Reactor	Three Phase Shunt Reactor	Single Current Transformer	Three Current Transformers	Voltage (V)	Current (I)	cos φ	Apparent Power (VA)	Active Power (W)	Reactive Power (VAR)			ΣW ΣVAR ΣVA	kWh	% THD I (33)	% THD V (33)	1...32 Harmonics	V 1...32 Harmonics	RS-485 Communication	Temperature Measurement	Thyristor Triggering								
Measurement with Three Current Transformers Three-Phase/Single-Phase Control																																									
77806	ZeroVAR PLUS 6		6																																						
77808	ZeroVAR PLUS 8		8																																						
77812	ZeroVAR PLUS 12		12																																						
77815	ZeroVAR PLUS 15		15																																						
78012	ZeroVAR PCS 12	12 Steps+Svc	12																		20/30 K																				
78018	ZeroVAR PCS 18	18 Steps+Svc	18																		20/30 K																				
78062	ZeroVAR SVC 12	12 Steps+Svc	12																		5/10 K																				
78068	ZeroVAR SVC 18	18 Steps+Svc	18																		5/10 K																				



SVC 30 K



SVC 20K



SVC 10K



SVC 5K



DISCHARGE UNIT

Order Code	Product Code	Product Description	Voltage	A	kVAR	Reactor Number	Reactor Type	Connect	Box Qty
Three Phase Electronic Driver									
79205	SVC 5 K	5 kVAR Svc	220 V AC	10	5	3	Monophase	Star	1
79210	SVC 10 K	10 kVAR Svc	220 V AC	18	10	3	Monophase	Star	1
79220	SVC 20 K	20 kVAR Svc	220 V AC	24	20	3	Monophase	Star	1
79230	SVC 30 K	30 kVAR Svc	220 V AC	32	30	3	Monophase	Star	1

NOTE: SVC products work with positive triggering. There may be optional negative triggering.

Order Code	Product Code	Product Description	Voltage	kVAR	Current Input	Box Qty
79300	Discharge Unit		110-700V	50	250	10



# KDAU 72

Digital Display

Universal Voltage (24.....285 V AC-DC)

72 x 72 x 45 mm Body

0,05-10.000 A Measurement

AC/DC Voltage Input

True RMS

Class 0,5



# Energy Measurement Solutions



# Measurement Devices

## Energy Analyzers

45 mm  
DEPTH



KNA 96



KPM 20



KPM 20-250

## Energy Power Meters

Order Code	Product Code	Product Description	3 Phase	Cos	Active Power	Reactive Power	Apparent power	Σ VA	Σ W	Σ VAR	kWh	Current	Voltage	Frequency	RS 232 Communication	RS 485 Communication	% THD I (33)	% THD V (33)	X / 5	C200	220 V	Box Qty.	
<b>96 MM Panel Type</b>																							
76700	KNA 96	Energy Analyzer	●	●	●	●	●	●	●	●	●	●	●	●	●	●	●	●	●	●	●	●	10
76500	KPM 20	Energy Power Meter	●	●	●			●	●	●	●	●	●	●			●	●	●			●	10
76505	KPM 20 CT 250	Energy Power Meter, 3 Current Transformers	●	●	●			●	●	●	●	●	●	●			●	●				●	10



KMM 01 U



KMM 01 I



KMM 03 U



KMM 01U-250



KMM 72

## Digital Multimeters

Order Code	Product Code	Product Description	Measurement			X / 5	220 V	Box Qty.
			Voltage	Current	Frequency			
<b>72 MM Panel Type</b>								
NEW 76400	KMM 72	Multimeter	●	●	●	●	●	10
<b>96 MM Panel Type</b>								
76000	KMM 01 U	Multimeter	●	●	●	●	●	10
76001	KMM 01 I	Multimeter, Isolated	●	●	●	●	●	10
76300	KMM 03 U	Multimeter	●	●		●	●	10
NEW 76030	KMM 0 1U 0-250A	Multimeter, CT 250 A	●	●	●		●	10
<b>Current Transformer</b>								
NEW 80003	CT 250	250 A Current Transformer (3 pcs.)						10

# Measurement Devices

## Digital Ampermeters

45 mm  
DEPTH



### True RMS Class 0,5

Order Code	Product Code	Product Description	Measurement					Input					Box Qty.
			AC	DC	X / 5	CT 250A	60 mV Shunt	AC	DC	12 V	24 V	220 V	
<b>35 MM Panel Type</b>													
75400	KDA 35	Ampermeter, 0,05-10,000 A Measurement	●		●			●				●	10
NEW 75425	KDA 35 0-250A	Ampermeter, CT 250 Current Transformer	●			●		●				●	10
<b>48 MM Panel Type</b>													
75448	KDA 48	Ampermeter, 0,05-10,000 A Measurement	●		●			●				●	10
NEW 75455	KDA 48 0-250A	Ampermeter, CT 250 Current Transformer	●			●		●				●	10
<b>72 MM Panel Type</b>													
75472	KDA 72	Ampermeter, 0,05-10,000 A Measurement	●		●			●				●	10
75862	KDA 72-80	Ampermeter, 0,5-80 A Measurement		●			●	●				●	10
75572	KDA 72-30	Ampermeter, 0,1-30 A Measurement	●	●				●				●	10
NEW 75672	KDAU 72	Ampermeter, 0,05-10,000 A Measurement	●		●			●	●			●	10
NEW 75475	KDA 72-D	Dual Ampermeter, 0,05-10,000 A Measurement	●		●			●				●	10
75480	KDA 72-12	Ampermeter, 0,05-10,000 A / 5 A Measurement	●		●			●		●		●	10
75481	KDA 72-24	Ampermeter, 0,05-10,000 A / 5 A Measurement	●		●			●		●		●	10
75492	KDA 72 0-250A	Ampermeter, CT 250 Current Transformer	●			●		●				●	10
75477	KDVA 72	Ampermeter/0-10000A,Voltmeter/5-500V Measurement	●		●			●				●	10
<b>72 MM Panel Type (DC)</b>													
75830	KDA 72-DC	Ampermeter, 100-900 A/DC Measurement		●			●	●				●	10
75850	KDA 72-DC 300	Ampermeter, 300-0,6 A/DC Measurement		●			●	●				●	10
75840	KDA 72-DC 400	Ampermeter, 400-0,6 A/DC Measurement		●			●	●				●	10
75860	KDA 72-DC 600	Ampermeter, 600-0,6 A/DC Measurement		●			●	●				●	10
75900	KDA 72-DC 1000	Ampermeter, 1000-0,6 A/DC Measurement		●			●	●				●	10
75861	KDA 72-DC 05	Ampermeter, 0,02-0,5 A/DC Measurement		●			●	●				●	10

# Measurement Devices

## Digital Ampermeters and Frequencymeter

45 mm  
DEPTH



True RMS Class 0,5

Order Code	Product Code	Product Description	Measurement					Input				Box Qty.	
			AC	DC	X / 5	CT 250A	60 mV Shunt	AC	DC	12 V	24 V		220 V
<b>96 MM Panel Type (DC)</b>													
75666	KDA 96-DC	Ampermeter, 100-900 A/DC Measurement					●	●				●	10
<b>96 MM Panel Type</b>													
75496	KDA 96	Ampermeter, 0,05-10,000 A Measurement	●		●			●				●	10
75230	KDA 935	Ampermeter, Current Control, 2 relay outputs	●		100/5			●				●	10
75492	KDA 96 0-250A	Ampermeter, CT 250 CT	●			●		●				●	10
75696	KDA 96 0-400A	Ampermeter,	●		400/1			●				●	10
75697	KDA 96 0-600A	Ampermeter,	●		600/1			●				●	10
76360	KMA 01	3 fazlı Multiampmeter	●		●			●				●	10
<b>Current Transformer</b>													
80003	CT 250	250 A CT (3 pcs.)											10

NEW



True RMS Class 0,5

## Digital Frequencymeters

Order Code	Product Code	Product Description	Measurement				Box Qty.
			1 Phase	20.....400 Hz	0,1 Hz Sensibility	220 V	
<b>35 MM Modular Type</b>							
75700	KFM 35	Frequencymeter	●	●	●	●	10
<b>48 MM Panel Type</b>							
75748	KFM 48	Frequencymeter	●	●	●	●	10
<b>72 MM Panel Type</b>							
75772	KFM 72	Frequencymeter	●	●	●	●	10
<b>96 MM Panel Type</b>							
75796	KFM 96	Frequencymeter	●	●	●	●	10

# Measurement Devices

## Digital Voltmeters

45 mm  
DEPTH



### True RMS Sinif 0,5

Order Code	Product Code	Product Description	Measurement						Input				Box Qty.	
			AC	DC	Phase+Phase	Phase+neutral	500 V	Frequency	AC	DC	12 V	24 V		220 V
<b>35 MM Panel Type</b>														
75100	KDV 35	Voltmeter, 5-500V Measurement	●			●	●	●				●		10
75300	KDV 35 3F	Voltmeter, Three Phase Optional, 5-500V Measurement	●		●	●	●	●				●		10
76355	KMV 35	3 Phase Voltmeter, 5-500V Measurement	●			●	●	●				●		10
<b>48 MM Panel Type</b>														
75048	KDV 48	Voltmeter, 5-500V Measurement	●			●	●	●				●		10
75348	KDV 48 3F	Voltmeter, Three Phase Optional, 5-500V Measurement	●		●	●	●	●				●		10
<b>72 MM Panel Type</b>														
75172	KDV 72	Voltmeter, 5-500V Measurement	●			●	●	●				●		10
75372	KDV 72-3F	Voltmeter, Three Phase Optional, 5-500V Measurement	●		●	●	●	●				●		10
75377	KDVU 72	Voltmeter, Universal Voltage	●			●	●	●	●	●		●	●	10
75375	KDV 72 - D	Voltmeter, Dual Display, 5-500V Measurement	●			●	●	●	●			●		10
75380	KDV 72-12	Voltmeter, 12 V, 5-500V Measurement	●			●	●	●		●				10
75381	KDV 72-24	Voltmeter, 24 V, 5-500V Measurement	●			●	●	●		●				10
75477	KDVA 72	Voltmeter, 5-500V Measurement, - Ampermeter- 0..10000A/5	●			●	●	●	●			●		10
75775	KDVF 72	Voltmeter, 5-500V Measurement- Frequencymeter, 20-400Hz	●			●	●	●	●			●		10
<b>72 MM Panel Type (DC)</b>														
75832	KDV 72-DC	Voltmeter, 5-500V Measurement		●			●	●				●		10
75200	KDV 72-DC 100	Voltmeter, 0-100 V DC Measurement		●			100V	●				●		10
<b>96 MM Panel Type</b>														
75196	KDV 96	Voltmeter, 5-500V Measurement	●			●	●	●				●		10
75396	KDV 96-3F	Voltmeter, Three Phase Optional, 5-500V Measurement	●		●	●	●	●				●		10
76350	KMV 01	Multivoltmeter	●		●	●	●	●				●		10

**NEW**



# KAD 10 FULL D

- 3 Line LED Display
- Over Voltage Adjustable
- Under Voltage Adjustable
- Phase Loss
- Phase Sequence
- Phase Asymmetry Adjustable
- t-on Adjustable
- t-Off Adjustable
- PTC Control

# Energy Control and Protection Solutions



# Control and Protection Devices

## Time Relays

45 mm  
DEPTH



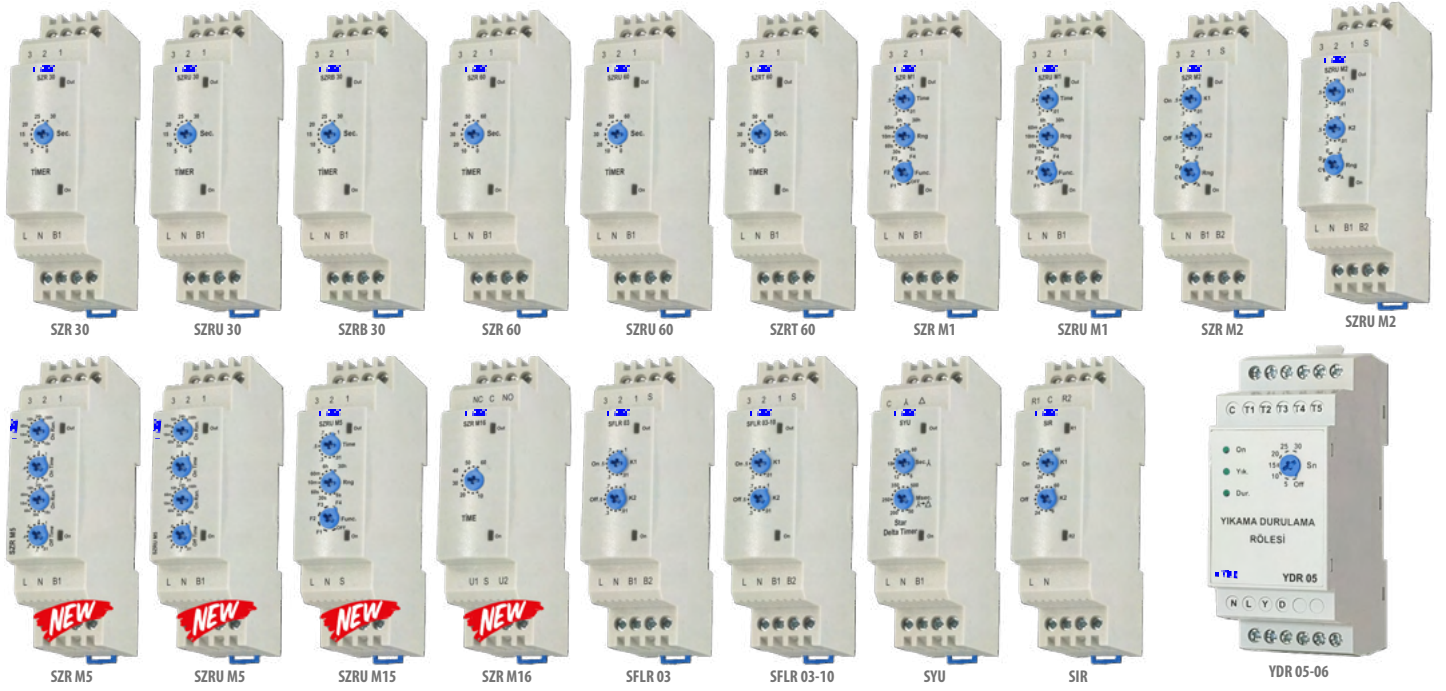
Order Code	Product Code	Product Description	Time Range	Technical Specifications							Operating voltage				Box Qty.
				On Delay	Off Delay	Steps Number	On Start	Off Start	Asymmetric Flasher	Trigger	12 V AC/DC	24 V AC/DC	220 V AC	18-285 VAC/DC	
<b>48 mm Panel Type</b>															
61032	KZR 48-30	On Delay Timer	0,1-30 sec.	●								●	●	10	
NEW 78165	KZR U 48-30	On Delay Timer	0,1-30 sec.	●								●	●	10	
61050	KZR 48-8P 30	On Delay Timer (8 pin)	0,1-30 sec.	●								●	●	10	
NEW 78161	KZR U 48-8P 30	On Delay Timer (8 pin)	0,1-30 sec.	●								●	●	10	
61062	KZR 48-60	On Delay Timer	0,1-60 sec.	●								●	●	10	
NEW 78166	KZR U 48-60	On Delay Timer	0,1-60 sec.	●								●	●	10	
61051	KZR 48-8P 60	On Delay Timer (8 pin)	0,1-60 sec.	●								●	●	10	
NEW 78162	KZR U 48-8P 60	On Delay Timer	0,1-60 sec.	●								●	●	10	
61002	KZR 48-M1	Multi-Function Timer	0,06 sec.-30 hr.	●	●	8	●	●				●	●	10	
NEW 78163	KZR U 48-M1	Multi-Function Timer	0,06 sec.-30 hr.	●	●	8	●	●				●	●	10	
NEW 60050	KZR U 48-8P M1	Multi-Function Timer (8 pin)	0,06 sec.-30 hr.	●	●	8	●	●				●	●	10	
61012	KZR 48-M2	Asymmetrical Timer	0,6 sec.-10 hr.	●		6	●	●	●			●	●	10	
NEW 78164	KZR U 48-M5	Multi-Function Timer	0,1sec.-100 hr.			8	●	●	●			●	●	10	
NEW 60048	KZR U 48-8P M5	Multi-Function Timer (8 pin)	0,1sec.-100 hr.			8	●	●	●			●	●	10	
65048	KFLR 48	Asymmetrical Timer Relay (Digital Display)	ON: 1 sec. - 99 min. OFF: 1 sec. - 99 min.				●	●	●			●	●	10	
60015	KFLR U 48	On start Flasher Relay	ON: 1 sec. - 60 sec. OFF: 1 sec. - 60 sec.				●	●	●			●	●	10	
<b>72 mm Panel Type</b>															
65000	KFLR 72	Multi-Function Timer	ON: 1 sec. - 99 min. OFF: 1 sec. - 99 min.				●	●	●			●	●	10	
65072	ADZ 72	Off Delay Relay (Digital)	1 sec. - 99 min.	●	●					●		●	●	10	

● : Optional



# Control and Protection Devices

## Time Relays



Order Code	Product Code	Product Description	Time Range	Technical Specifications							Operating voltage				Box Qty.
				On Delay	Off Delay	Steps Number	On Start	On Start	Asymmetric Flasher	Trigger	12 V AC/DC	24 V AC/DC	220 V AC	18-285 VAC/DC	
<b>22,5 MM Modüler Type</b>															
61030	SZR 30	On Delay Timer	0,1 - 30 sec.	●								●	●	10	
61230	SZRU 30	On Delay Timer	0,1 - 30 sec.	●							●		●	10	
61530	SZRB 30	Off Delay Timer	0,1 - 30 sec.		●						●	●		10	
61060	SZR 60	On Delay Timer	0,1 - 60 sec.	●							●	●		10	
61260	SZRU 60	On Delay Timer	0,1 - 60 sec.	●							●		●	10	
61031	SZRT 60	Triggered, On Delay Timer	0,1 - 60 sec.	●					●		●	●		10	
60000	SZR M1	Multi-Function Timer	0,06 sn - 30 hour	●	●	8	●	●			●	●		10	
60200	SZRU M1	Multi-Function Timer	0,06 sn - 30 hour	●	●	8	●	●			●		●	10	
60010	SZR M2	Asymmetrical Timer Relay	0,6 sn - 10 hour			6	●	●	●		●	●		10	
60210	SZRU M2	Asymmetrical Timer Relay	0,6 sn - 10 hour				●	●	●		●		●	10	
60013	SZR M5	Multi-Function Timer	0,1 sn - 100 hour			8	●	●	●		●	●		10	
78160	SZRU M5	Multi-Function Timer	0,1 sn - 100 hour			8	●	●	●		●		●	10	
60035	SZRU M15	Multi-Function Timer	Trigger Input 0,05 - 100 hour	●	●	7		●		●	●			10	
60040	SZR M16	Multi-Function Timer	Trigger Input 10 - 60 sec.						●		●			10	
60011	SFLR 03	On start Flasher Relay	0,6 - 60 sec.				●	●	●		●	●		10	
60014	SFLR 03-10	Flasher Relay	1 - 10 sn / 0,5 sec.											10	
60021	SYU	Star Delta Relay	Δ : 6 sec. - 60 sec. A@Δ: 50...500 msec.				●					●		10	
60022	SIR	Left-Right (Inversor Relay)	t-ON : 6...60 sec. t-OFF : 6...60 sec.					●				●		10	
<b>35 MM Modüler Type</b>															
63002	YDR 05	5 Stage Dishwasher Relay	Washing time 30-60 -90-120-180 Standby time 3 sec. No Discharge Time			5							●	10	
63003	YDR 06	5 Stage Dishwasher Relay,Thyristor Output, Discharge Relay	Washing time 30-60 -90-120-180 Standby time 3 sec. Discharge Time			5							●	10	

● : Optional

# Control and Protection Devices

## Motor (Phase) Protection Relays



### True RMS Class 0,5

Order Code	Product Code	Product Description	Control										Input		Box Qty.	
			Three Phase	Monophase	Phase-Phase	Phase-Neutral	Phase Loss	Phase Sequence	Ptc Protection	Asymmetry	Over & Under Voltage Adjustment	Off Delay 0,1 sn. - 20 sn.	On Delay 0,1 sn. - 20 sn.	Off Delay 0,1 dk. - 20 dk.		On Delay 0,1 dk. - 20 dk.
<b>48 MM Panel Type</b>																
70142	FMK 48-03		●			●	●	●		% 30					●	10
70148	FMK 48 05N-8P	No Neutral-With Socket(8 Pin)	●		●		●	●		%5 - %15		●			●	10
70604	FMK 48 05N-11P	No Neutral-With Socket(11 Pin)	●		●		●	●		%5 - %15		●			●	10
<b>22.5 MM Modüler Type</b>																
70025	SMK 01		●			●	●			% 30					●	10
70045	SMK 03		●			●	●			% 40					●	10
70003	STR			●				●							●	10
70001	SFSR		●			●		●							●	10
70125	SFMK 01		●			●	●	●		% 30					●	10
70126	SFMK 01 P		●			●	●	●	●	% 30					●	10
70145	SFMK 03		●			●	●	●		% 40					●	10
70146	SFMK 03 P	PTC	●			●	●	●	●	% 40					●	10
70147	SFMK 03 N	No Neutral	●		●		●	●		% 15				●		10
70155	SFMK A		●			●	●	●		%5 - %30					●	10
70156	SFMK AP	PTC	●			●	●	●	●	%5 - %30					●	10
70506	SFMK 05		●		●		●	●		%5 - %15		●			●	10
70505	SFMK 05 P	PTC	●		●		●	●	●	%5 - %15		●			●	10
70615	SFMK 05 N	No Neutral	●		●		●	●	●	%5 - %15	%5 - %30	●	●	●	●	10
70605	FMK FULL MP	No Neutral	●		●		●	●	●	%5 - %15	%5 - %30	●			●	10
70515	SFMK 06		●		●		●	●		%5 - %15	%5 - %30	●			●	10
70516	SFMK 06 P	PTC	●		●		●	●	●	%5 - %15	%5 - %30	●			●	10
70526	SFMK 07 N	No Neutral	●		●		●	●	●	% 11	Üst: 500 V Alt: 280 V	2 sec.			●	10
70508	SFMK 08		●		●		●	●		% 8					●	10

# Control and Protection Devices

## Motor (Phase) Protection Relays



FMK 03



FMK 03P



FMK 03N



FMK 05



FMK 05N



FMK 10 D



FMK 10 DF



FMK 10 ND



FMK 10 FULL D



FMK SSR



FMK 35-05N-8P



FMK 35-05N-11P

### True RMS Class 0,5

Order Code	Product Code	Product Description	Control								Input			Box Qty.	
			Three Phase	Monophase	Phase-Phase	Phase-Neutral	Phase Loss	Phase Sequence	Ptc Protection	Asymmetry	Over & Under Voltage Adjustment	Off Delay 0,1 sn. - 20 sn.	24.....285 V AC		380 V AC
<b>35 MM Modüler Tip</b>															
70140	FMK 03		•			•	•	•		% 30				•	10
70141	FMK 03 P	PTC	•			•	•	•	•	% 30				•	10
70143	FMK 03 N	No Neutral	•		•		•	•		% 15		•		•	10
70500	FMK 05		•		•		•	•		%5 - %15	•			•	10
70600	FMK 05 N	No Neutral	•		•		•	•		%5 - %15	•		•	•	10
70730	FMK 10 D	Digital Display	•		•		•	•						•	10
70740	FMK 10 DF	Digital Display	•		•		•	•						•	10
70750	FMK 10 ND	Digital Display, No Neutral	•		•		•	•					•	•	10
70800	FMK 10 FULL D	Digital Display	•		•		•	•	•					•	10
70900	FMK SSR	2-100Kohm Conductivity Adjustment	•		•		•	•		%9,5 - %15	•	•		•	10
<b>35x80 MM Soketli Tip</b>															
70602	FMK 35 05 N 8P	No Neutral-With Socket(8 Pin)	•		•		•	•		%5 - %15	•		•	•	10
70601	FMK 35 05 N 11P	No Neutral-With Socket(11 Pin)	•		•		•	•		%5 - %15	•		•	•	10

# Control and Protection Devices

## Voltage Protection Relays



Order Code	Product Code	Product Description	Control											Input		Box Qty.	
			Three Phase	Monophase	Phase Sequence	Phase Loss	Asymmetry %5...%20	Lower Limit Setting 150-210	Upper Limit Setting 230-300	Lower Limit Setting 260-360	Upper Limit Setting 400-500	On Delay 0,1 sn. - 20 sn.	On Delay 0,1 dk. - 20 dk.	Off Delay 0,1 sn. - 20 sn.	Off Delay 0,1 dk. - 20 dk.		T-on-Toff 0,1.....99,9
<b>48 MM Panel Type</b>																	
72017	KAD 48 - 01			•				•	•			•				•	10
72032	KAD 48 - 04		•		•	•		•	•			•				•	10
72043	KAD 48 - 04 N	No Neutral	•		•	•			•			•				•	10
72050	KAD 48 - 05		•		•	•		•	•			•				•	10
<b>22.5 MM Modular Type</b>																	
72015	SKAD 01			•				•	•			•				•	10
72025	SKAD 02			•				•	•			•				•	10
72035	SKAD 04		•		•	•		•	•			•				•	10
72605	SKAD 04 N	No Neutral	•		•	•			•			•				•	10
72607	SKAD 04 FD	Phase Corrector	•		•	•		•	•			•				•	10
72045	SKAD 05		•		•	•		•	•			•				•	10
72615	SKAD 05 N	No Neutral	•		•	•			•			•				•	10
72215	SKAD 06 M	Compressor Relay		•				•	•			3 Sec. Fixed	•			•	10
72235	SKAD 06 T	Compressor Relay		•				•	•			3 Sec. Fixed	•			•	10
72335	SKAD 06 T1		•		•	•						10 sec. Fixed	1-15min.			•	10
72355	SKAD 09		•		•	•		170 V Fixed	280 V Fixed			1 sec. Fixed	5 sec. Fixed			•	10
72606	SKAD N	No Neutral	•		•				•			•				•	10

72215 SKAD 06M: Mono Phase Compressor Relay (Suitable for devices such as refrigerators, air conditioners)  
 72235 SKAD 06T: Three- Phase Compressor Relay (Suitable for devices such as refrigerators, air conditioners)

# Control and Protection Devices

## Voltage Protection Relays



KAD 01



KAD 04



KAD 04N



KAD 10-D1



KAD 10-D3



KAD 10-DF



KAD 10-FULL D



KAD 10-FULL ND

Order Code	Product Code	Product Description	Control											Input		Box Qty.		
			Three-phase	Monophase	Phase Sequence	Phase Loss	Asymmetry % 5...%20	Lower Limit Setting 150-210	Upper Limit Setting 230-300	Lower Limit Setting 260-360	Upper Limit Setting 400 - 500	On Delay 0,1 sn. - 20 sn.	On Delay 0,1 dk. - 20 dk.	Off Delay 0,1 sn. - 20 sn.	Off Delay 0,1 dk. - 20 dk.		T-on-Toff 0,1.....99,9	380 V AC
<b>35 MM Modular Type</b>																		
72010	KAD 01			●					●	●				●			●	10
72030	KAD 04		●		●	●			●	●				●			●	10
72600	KAD 04 N	No Neutral	●		●						●		10 sec.				●	10
72730	KAD 10 D1	With Display, No Phase Sequence		●		●			●	●				●	●			●
72740	KAD 10 D3	With Display, No Phase Sequence	●			●			●	●				●	●			●
72750	KAD 10 DF	With Display,	●		●	●			●	●				●	●			●
72760	KAD 10 Full D	With Display,	●		●	●	●	●	●	●						●	●	●
72770	KAD 10 Full ND	No Neutral, With Display, PTC,	●		●	●	●	●	●	●				●	●	●	●	●

# Control and Protection Devices

## Liquid Level Control Relays



Order Code	Product Code	Product Description	Lcd	Control			Input				Box Qty.
				2-100 Kohm Conductivity Adjustment	Pressure Switch Input	Boost Output	12 V DC	24 V DC	220 V AC	12.....285 V AC	
<b>22.5 MM Modular Type</b>											
66055	SSR 04		●	●							10
66056	SSR 04-12V		●	●		●					10
66057	SSR 04-24V		●	●			●				10
66060	SSR 06		●	●						●	10
66065	SSR 06 T	Timed,1.....60 sec.	●	●						●	10
66200	HSR 02	Hydrophore Sequencing Relay			2	2			●		10
66210	HSR 03	Hydrophore Sequencing Relay			3	3			●		10
<b>35 MM Modular Type</b>											
66050	SSR 02			●			●				10
66090	SSR 06 M	Engine Protected								●	10
<b>35x80 MM Socket Type</b>											
66108	SSR 35 04-8P	8 Pin	●	●					●		10
66111	SSR 35 04-11P	11 Pin	●	●					●		10
<b>48 MM Panel Type</b>											
66109	SSR 48 04-8P	8 Pin	●	●					●		10
66112	SSR 48 14-11P	11 Pin	●	●					●		10
<b>Electrode</b>											
<b>Technical Specifications</b>											
66500	SSR BE	Large Electrode		150mm x 0:26mm Stainless steel, Rubber seal, Serial cable connection							10
66505	SSR KE	Small Electrode		150mm x 0:26mm Stainless steel, Rubber seal, Serial cable connection							10
66510	SSR KA	Wired Electrode		100mm x 0:22mm Stainless steel, 16mm Copper connection and Heat shrink tubing							10

# Control and Protection Devices

## Thermostatic Temperature Controllers and Thermocouples

45 mm  
Body Depth



ADT 48



DT 48



ADT 72



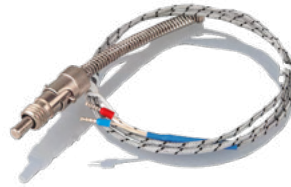
DT 72



ADT 96



DT 96



TERMOKUPL

Order Code	Product Code	Product Description	Control					Box Qty.
			Analog Tuned	Digital Tuned	Digital Display	J Type	K Type	
<b>35 MM Modular Type</b>								
55248	ADT 48		•		•	•	•	10
55548	DT 48			•	•	•	•	10
<b>72 X 72 MM Panel Type</b>								
55272	ADT 72		•		•	•	•	10
55572	DT 72			•	•	•	•	10
<b>96 X 96 MM Panel Type</b>								
55296	ADT 96		•		•	•	•	10
55596	DT 96			•	•	•	•	10

Order Code	Product Code	Product Description	J Type	K Type	Box Qty.
<b>Termokupl</b>					
98010	THERMOCOUPLE	1,00 meter	•		10
98015	THERMOCOUPLE	1,50 meter	•		10
98020	THERMOCOUPLE	2,00 meter	•		10
98025	THERMOCOUPLE	2,50 meter	•		10
98030	THERMOCOUPLE	3,00 meter	•		10
98040	THERMOCOUPLE	4,00 meter	•		10
98050	THERMOCOUPLE	5,00 meter	•		10
98012	THERMOCOUPLE	1,00 meter		•	10
98017	THERMOCOUPLE	1,50 meter		•	10
98022	THERMOCOUPLE	2,00 meter		•	10
98027	THERMOCOUPLE	2,50 meter		•	10
98032	THERMOCOUPLE	3,00 meter		•	10
98042	THERMOCOUPLE	4,00 meter		•	10
98052	THERMOCOUPLE	5,00 meter		•	10

Material Size: 2-10 cm Diameter: 4-6-8 cm

• 3,5 € for every 2 meters after 5 meters There is a price difference.

• Please specify the diameter as 4-6-8 when ordering.

• J type thermostats 0-400 °C; The measuring range of K type thermostats is 0-800 °C.

# Control and Protection Devices

## Photocell Relays



Order Code	Product Code	Product Description	Control					Box Qty.	
			1-3 Lux Adjustable	1-10 Lux Adjustable	Manual	With Relay Output	Fuse Protected		220 V AC
<b>22,5 MM Modular Type</b>									
67013	SFR 01 A	1...3 Lux Adjustable	●			●		●	10
67015	SFR 01	1...10 Lux Adjustable		●		●		●	10
67115	SFR 02	1...10 Lux Adjustable		●	●	●	●	●	10
<b>35 MM Modular Type</b>									
67003	KFR 01 A	1...3 Lux Adjustable	●			●		●	10
67010	KFR 01	1...10 Lux Adjustable		●		●		●	10

Order Code	Product Code	Product Description	Control					Box Qty.	
			1-3 Lux Adjustable	1-10 Lux Adjustable	Manual	With Relay Output	Fuse Protected		220 V AC
<b>Eye Body</b>									
67200	KFR 03	3 Lux constant, Unisolated Supply				●		●	10

Order Code	Product Code	Product Description	Control					Box Qty.	
			1-3 Lux Adjustable	1-10 Lux Adjustable	Manual	With Relay Output	Fuse Protected		220 V AC
<b>Photocell Sensor</b>									
67500	KFG							●	10



# CVI



- LRM interface
- LCD screen
- 3 phase measurement
- Din 43700
- Panel Mounting
- IP 54

# Energy Distribution Solutions

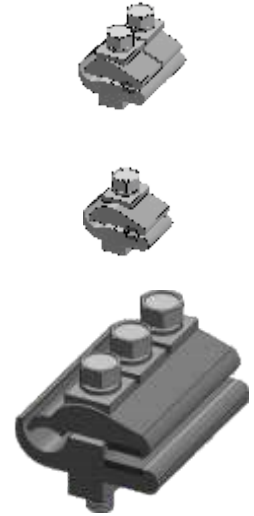


# Panel Materials

## Terminal and Panel Materials

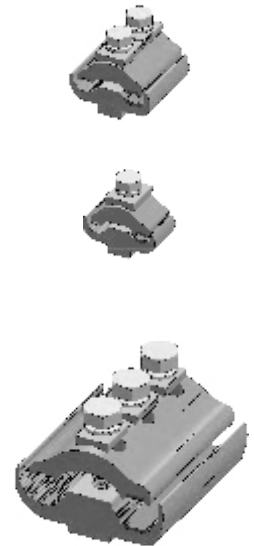
### Classic Groove Connector Al-Cu / Al-Al

Order Code	Type	Min. & Max. Conductor Size	Conductors to be used	Number of Bolts	Box Qty.
<b>Al-Cu</b>					
92800	A25 B16	6-25 Al/2,5-16 Cu	Rose	1 Bolts	100
92805	A40 B25	16-40 Al/10-25 Cu	Rose, Lily, Swallow, Sparrow	1 Bolts	100
92810	A70 B50	16-70 Al/10-50 Cu	Rose, Lily, Swallow, Sparrow	2 Bolts	40
92815	A120 B70	7-120 Al/10-70 Cu	Pansy, Aster, Phlox, Oxlip, Raven, Pigeon	3 Bolts	30
92820	A240 B120	7-240 Al/50-120 Cu	Daisy, Peony, Tulip, Canna, Partridge, Ostrich, Hawk	3 Bolts	10
92830	A240 B240	240 Al/240 Cu	Daisy, Peony, Tulip, Canna, Partridge, Ostrich, Hawk	3 Bolts	8
<b>Al-Al</b>					
92850	A16 A16	6-16	Rose	1 Bolts	100
92855	A25 A25	6-25	Rose	1 Bolts	100
92860	A40 A40	16-40	Rose, Lily, Swallow, Sparrow	1 Bolts	100
92865	A70 A70	16-70	Rose, Lily, Pansy, Swallow, Sparrow	2 Bolts	40
92870	A120 A120	40-120	Pansy, Aster, Phlox, Oxlip, Swallow, Raven	3 Bolts	30
92875	A240 A240	70-240	Daisy, Peony, Tulip, Canna, Partridge, Ostrich, Hawk	3 Bolts	10
<b>Stopper Terminals</b>					
92880	A16 A50	16-50	Rose, Lily, Swallow, Sparrow	2 Bolts	40
92885	A50 A95	50-95	Rose, Lily, Swallow, Sparrow	3 Bolts	40



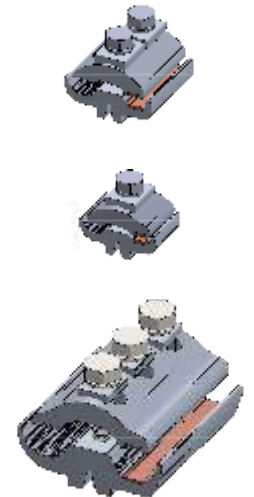
### Standard Groove Connector Al-Cu / Al-Al

Order Code	Type	Min. & Max. Conductor Size	Conductors to be used	Number of Bolts	Box Qty.
<b>Al/Cu</b>					
92983	A25 B16	6-25 Al/1,5-16 Cu	Rose, Lily, Swallow, Sparrow	1 Bolts	100
92980	A50 B25	6-50 Al/2,5-25 Cu	Rose, Lily, Swallow, Sparrow	1 Bolts	100
92986	A95B70	16-95 Al/10-70 Cu	Rose, Lily, Swallow, Sparrow, Pansy, Aster, Phlox, Oxlip, Raven, Pigeon	1 Bolts	30
92981	A120 B50	16-120 Al/10-50 Cu	Rose, Lily, Swallow, Sparrow, Pansy, Aster, Phlox, Oxlip, Raven, Pigeon	2 Bolts	30
92982	A120 B70	16-120 Al/10-70 Cu	Rose, Lily, Swallow, Sparrow, Pansy, Aster, Phlox, Oxlip, Raven, Pigeon	3 Bolts	30
92984	A240 B120	70-240 Al/50-120 Cu	Daisy, Peony, Tulip, Canna, Partridge, Ostrich, Hawk	3 Bolts	10
92583	A150 B150	50-150 Al/50-150 Cu	Daisy, Peony, Tulip, Canna, Partridge, Ostrich, Hawk	2 Bolts	16
<b>Al/Al</b>					
92960	A50 A50	6-50 Al/6-50 Al	Rose, Lily, Swallow, Sparrow	1 Bolts	100
92963	A95 A95	16-95 Al/16-95 Al	Pansy, Aster, Phlox, Oxlip, Swallow, Raven	1 Bolts	30
92962	A70 A70	16-70 Al/16-70 Al	Pansy, Aster, Phlox, Oxlip, Swallow, Raven,	2 Bolts	30
92961	A120 A120	16-120 Al/16-120 Al	Pansy, Aster, Phlox, Oxlip, Swallow, Raven,	3 Bolts	30
92964	A240 A240	70-240 Al/70-240 Al	Daisy, Peony, Tulip, Canna, Partridge, Ostrich, Hawk	3 Bolts	10
92965	A150 A150	70-150 Al/70-150 Al	Daisy, Peony, Tulip, Canna, Partridge, Ostrich, Hawk,	2 Bolts	10
<b>Standard Stopper Terminal</b>					
92969	A16 A50	50-25 Al /16-50 Al	Rose, Lily, Swallow, Sparrow	2 Bolts	40
92970	A50 A95	25-50 Al /50-95 Al	Rose, Lily, Swallow, Sparrow	3 Bolts	30



### Euro Groove Connector Al-Cu / Al-Al

Order Code	Type	Min. & Max. Conductor Size	Conductors to be used	Number of Bolts	Box Qty.
<b>Al/Cu</b>					
92700	A50 B25	6-50 Al/2,5-25 Cu	Rose, Lily, Swallow, Sparrow	1 Bolts	100
92705	A95B70	16-95 Al/10-70 Cu	Rose, Lily, Swallow, Sparrow, Pansy, Aster, Phlox, Oxlip, Raven, Pigeon	1 Bolts	30
92710	A120 B50	16-120 Al/10-50 Cu	Rose, Lily, Swallow, Sparrow, Pansy, Aster, Phlox, Oxlip, Raven, Pigeon	2 Bolts	30
92715	A120 B70	16-120 Al/10-70 Cu	Rose, Lily, Swallow, Sparrow, Pansy, Aster, Phlox, Oxlip, Raven, Pigeon	3 Bolts	30
92720	A240 B120	70-240 Al/50-120 Cu	Daisy, Peony, Tulip, Canna, Partridge, Ostrich, Hawk	3 Bolts	10
92725	A150 B150	50-150 Al/50-150 Cu	Daisy, Peony, Tulip, Canna, Partridge, Ostrich, Hawk	2 Bolts	16
<b>Al/Al</b>					
92750	A50 A50	6-50 Al/6-50 Al	Rose, Lily, Swallow, Sparrow	1 Bolts	100
92755	A95 A95	16-95 Al/16-95 Al	Pansy, Aster, Phlox, Oxlip, Swallow, Raven	1 Bolts	30
92760	A70 A70	16-70 Al/16-70 Al	Pansy, Aster, Phlox, Oxlip, Swallow, Raven,	2 Bolts	30
92765	A120 A120	16-120 Al/16-120 Al	Pansy, Aster, Phlox, Oxlip, Swallow, Raven,	3 Bolts	30
92770	A240 A240	70-240 Al/70-240 Al	Daisy, Peony, Tulip, Canna, Partridge, Ostrich, Hawk	3 Bolts	10
92775	A150 A150	70-150 Al/70-150 Al	Daisy, Peony, Tulip, Canna, Partridge, Ostrich, Hawk,	2 Bolts	10



# Panel Materials

## Terminal and Panel Materials



Insulation Piercing Connector

Order Code	Type	Box Qty.
<b>Isolated Overhead Terminals</b>		
92950	AER, Al 95-35 mm, Cu 2,5 - 50 mm	40
92951	AER, Al150-50 mm, Cu 16 - 95 mm	40
92954	AER 2', Al150-50 mm, Cu 16 - 95 mm	40



Lighting Pole Terminal

Order Code	Type	Box Qty.
<b>Lighting Pole Terminal</b>		
92896	Lighting Pole Terminal 1x(1,5 - 6) 2x(16-35 mm)	200



Order Code	Type	Box Qty.
<b>Cable Connection Units</b>		
96951	Up to 3x16 cables can be connected. (3 x 14 - 23mm)	56

## For Distribution From Poles to Enduser



Anchor Cable Aerial Strain Clamp

Order Code	Type	Box Qty.
<b>Anchor Cable Aerial Strain Clamp</b>		
92790	PA-2000, Max: 70 mm	100



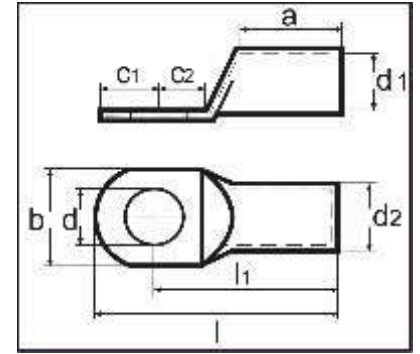
Order Code	Type	Box Qty.
<b>High Voltage Phase Indicator</b>		
78100	CVI, No Contact IEC, LRM System	100
78101	CVI Relay, Contact IEC, LRM System	100

# Panel Materials

## SKP Cable Lugs

Long Type

Order Code	Section	Bolt nest	D1	D2	A	D	B	C1	C2	L1	L	Box Qty.
<b>Skp Cable Lugs</b>												
93001	6	M5	4	5,5	9,5	5,3	9	6,5	6,5	19	25,5	500
93021	6	M6	4	6	11	6,4	10,5	7	7	21	28	500
93002	10	M5	4,5	6	11,5	5,3	9	7	7	21	28	500
93022	10	M6	4,5	6,5	13	6,4	11	7	7	23	30	500
93041	10	M8	4,5	6,5	13	8,4	13,5	8	8	24,5	32,5	500
93023	16	M5	5,5	7,5	12,5	5,3	12	7,5	7,5	24	31,5	300
93003	16	M6	5,5	7,5	12,5	6,5	12	7,5	7,5	24	31,5	300
93042	16	M8	5,5	7,5	13	8,4	13,5	8	8	25,5	33,5	300
93024	25	M6	7	9,5	17,5	6,5	14	8,5	8,5	30,5	39	300
93004	25	M8	7	9,5	17,5	8,5	14	8,5	8,5	30,5	39	300
93043	25	M10	7	9,5	17,5	10,5	16	10	10	31,5	41,5	300
93044	35	M6	8,5	11	19	6,5	16,5	9,5	9,5	34,5	44	200
93005	35	M8	8,5	11	19	8,5	16,5	9,5	9,5	34,5	44	200
93025	35	M10	8,5	11	19	10,5	16,5	10	10	34,5	44,5	200
93026	50	M8	10	13	20	8,5	19	11	11	39,5	50,5	150
93006	50	M10	10	13	20	10,5	19	11	11	39,5	50,5	150
93045	50	M12	10	13	20	13	19	11	11	39,5	50,5	150
93027	70	M8	11,5	14,5	21,5	8,5	21,5	11	11	41,5	52,5	100
93007	70	M10	11,5	14,5	21,5	10,5	21,5	11	11	41,5	52,5	100
93046	70	M12	11,5	14,5	21,5	13	21,5	11	11	41,5	52,5	100
93028	95	M10	13,5	16,5	25	10,5	24	12	12,5	48	60	60
93008	95	M12	13,5	16,5	25	13	24	12	12,5	48	60	60
93047	95	M14	13,5	16,5	25	14,5	26	14	14	50	64	60
93009	120	M10	14,5	18	27	10,5	26,5	14	14	52	66	50
93029	120	M12	14,5	18	27	13	26,5	14	14	52	66	50
93048	120	M14	14,5	18	27	14,5	26,5	14	14	52	66	50
93030	150	M12	16,5	21	29	13	30,5	15	15	57	72	40
93010	150	M14	16,5	21	29	14,5	30,5	15	15	57	72	40
93049	150	M16	16,5	21	29	16,5	30,5	15	15	57	72	40
93031	185	M12	18,5	23	33	13	33,5	16	16	63	79	24
93050	185	M14	18,5	23	33	14,5	33,5	16	16	63	79	24
93011	185	M16	18,5	23	33	16,5	33,5	16	16	63	79	24
93032	240	M12	21	26	37	13	38	16,5	16,5	70	86,5	24
93051	240	M14	21	26	37	14,5	38	16,5	16,5	70	86,5	24
93012	240	M16	21	26	37	16,5	38	16,5	16,5	70	86,5	24
93013	300	M20	23,5	28,5	41	21	42	19	22	80	99	15
93014	400	M20	27	33	46	21	48	20	20	90	110	10
93015	500	M20	30	38	56	21	55	22	22	100	122	10



## Cable Copper Connector

Order Code	Section	D1 (0,1)	D2 (0,1)	L (0,5)	Box Qty.
<b>Cable Copper Connector</b>					
93500	6	4	5,5	25,5	500
93501	10	4,5	6	28	400
93502	16	5,5	7,5	31,5	400
93503	25	7	9,5	39	300
93504	35	8,5	11	44	200
93505	50	10	13	50,5	150
93506	70	11,5	14,5	52,5	100
93507	95	13,5	16,5	60	60
93508	120	14,5	18	66	50
93509	150	16,5	21	72	40
93510	185	18,5	23	79	30
93511	240	21	26	86,5	25
93512	300	23,5	28,5	99	15

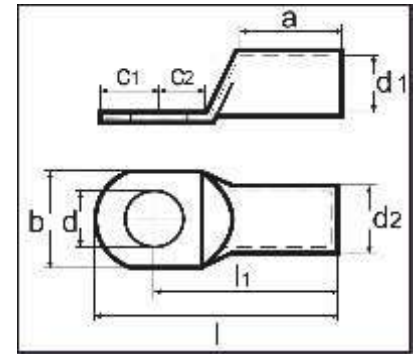


# Panel Materials

## Din Norm Cable Lugs

### DIN 46235 Copper Cable Lugs

Order Code	Section	Bolt nest	D1	D2	A	D	B	C1	C2	L1	L	Box Qty.
<b>DIN 46235 Copper</b>												
93202	10	M5	4,5	6	10	5,3	9	7	8,5	27	34	500
93203	16	M6	5,5	8,5	20	6,4	13	7,5	8	36	43,5	300
93204	25	M8	7	10	20	8,4	16	10	10	38	48	300
93205	35	M8	8,2	12,5	20	8,4	17	10	10	42	52	250
93206	50	M10	10	14,5	28	10,5	22	12	12	52	64	150
93207	70	M10	11,5	16,5	28	10,5	24	12	12	55	67	100
93208	95	M12	13,5	19	35	13	28	13	13	65	78	75
93209	120	M12	15,5	21	35	13	32	16	17	70	86	60
93210	150	M16	17	23,5	35	17	34	19	20	78	97	40
93211	185	M16	19	25,5	40	17	37	19	20	82	101	30
93212	240	M16	21,5	29	40	17	42	19	20	92	111	24
93213	300	M16	24,5	32	50	17	48	19	22	100	119	10
93214	400	M20	27,5	38,5	70	21	55	25	25	115	140	10
93215	500	M20	31	42	70	21	60	25	25	125	150	10
93216	630	M20										10



## Cable Din Norm Connector

Order Code	Section	D1 (0,1)	D3 (0,1)	L (0,5)	Box Qty.
<b>Cable Din Norm Connector</b>					
93250	10	4,5	6	34	400
93251	16	5,5	8,5	43,5	400
93252	25	7	10	48	300
93253	35	8,2	12,5	52	200
93254	50	10	14,5	64	150
93255	70	11,5	16,5	67	100
93256	95	13,5	19	78	60
93257	120	15,5	21	86	50
93258	150	17	23,5	97	40
93259	185	19	25,5	101	30
93260	240	21,5	29	111	25
93261	300	24,5	32	119	15

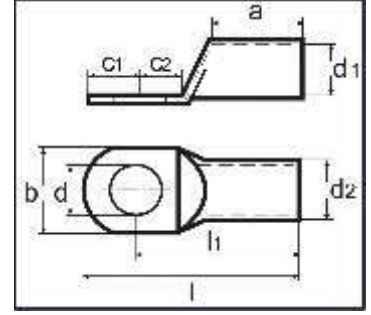


# Panel Materials

## Cable Lugs

### Aluminium Cable Lugs

Order Code	Section	Bolt nest	D1	D2	A	D	B	C1	C2	L1	L	Box Qty.
<b>Aluminum Cable Lugs</b>												
93609	25	M8	6,8	12	40	8,5	18	10	11,5	60	70	300
93612	35	M8	8	14	43	8,5	21	11,5	14	67	78,5	250
93615	50	M10	9,8	16	46	10,5	25	14	15	72	86	150
93618	70	M10	11,2	18,5	54	10,5	28	15	17,5	86	101	100
93621	95	M12	13,2	22	59	13	32	15,5	17,5	90	105,5	75
93624	120	M12	14,7	23	59	13	32	16	17,5	91	107	60
93627	150	M12	16,3	25	62	13	35	17,5	20	103	120,5	40
93630	185	M12	18,3	28,5	63	13	40	19	20	106	125	30
93633	240	M12	21	32	72	13	45	23	24	116	139	24
93636	300	M16	23,3	34	74	17	49	24	25	124	148	10



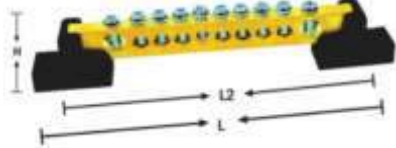
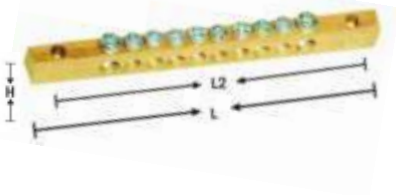
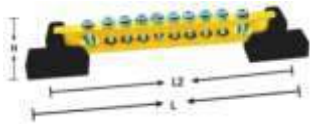
### Cable Aluminum Connector

Order Code	Section	D1 (0,1)	D2 (0,1)	L (0,5)	Box Qty.
<b>Cable Aluminum Connector</b>					
93648	25	6,8	12	70	300
93651	35	8	14	78,5	200
93654	50	9,8	16	86	150
93657	70	11,2	18,5	101	100
93660	95	13,2	22	105,5	60
93663	120	14,7	23	107	50
93666	150	16,3	25	120,5	40
93669	185	18,3	28,5	125	30
93672	240	21	32	139	25
93675	300	23,3	34	148	15



# Panel Materials

## Earthing Terminals

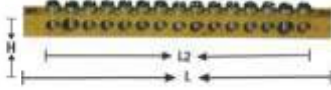
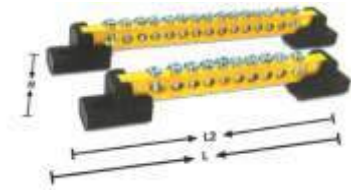


Order Code	Type	B	H	L	L2	Box Qty.	
<b>Panel Earthing Connectors (6x8 mm)</b>							
28004	4 Holes	6	8	33	—	50	
28005	5 Holes	6	8	36	—	50	
28006	6 Holes	6	8	45	—	50	
28007	7 Holes	6	8	50	—	50	
28009	9 Holes	6	8	62	—	50	
28010	10 Holes	6	8	68	—	50	
28012	12 Holes	6	8	80	—	50	
<b>Panel Earthing Connectors with Base (6x8 mm)</b>							
28055	5 Holes	6	8	36	—	50	
28056	6 Holes	6	8	45	—	50	
28057	7 Holes	6	8	50	—	50	
28060	10 Holes	6	8	68	—	50	
28062	12 Holes	6	8	80	—	50	
<b>Panel Earthing Connectors (6,5x9 mm)</b>							
28156	6 Holes	6,5	9	52	44	50	
28157	7 Holes	6,5	9	57	49	50	
28160	10 Holes	6,5	9	76	68	50	
28162	12 Holes	6,5	9	88	80	50	
28165	15 Holes	6,5	9	105	97	50	
28170	20 Holes	6,5	9	134	126	50	
28175	25 Holes	6,5	9	165	155	50	
28180	30 Holes	6,5	9	194	185	50	
<b>Panel Earthing Connectors with Base (6,5x9 mm)</b>							
28106	6 Holes	6,5	9	85	70	50	
28107	7 Holes	6,5	9	90	75	50	
28110	10 Holes	6,5	9	108	95	50	
28112	12 Holes	6,5	9	120	106	50	
28115	15 Holes	6,5	9	138	124	50	
28120	20 Holes	6,5	9	165	152	50	
28125	25 Holes	6,5	9	195	180	50	
28130	30 Holes	6,5	9	235	220	50	

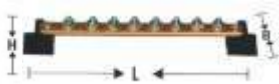


# Panel Materials

## Earthing Terminals



Sipariş Kodu	Cinsi	B	H	L	L2	Box Qty.
<b>Panel Earthing Connectors with Base (7x12 mm)</b>						
28356	6 Holes	7	12	63	55	50
28357	7 Holes	7	12	69	61	50
28360	10 Holes	7	12	94	84	50
28362	12 Holes	7	12	119	100	50
28365	15 Holes	7	12	130	121	50
28370	20 Holes	7	12	165	157	50
28375	25 Holes	7	12	203	198	50
28380	30 Holes	7	12	235	226	50
<b>Panel Earthing Connector (7x12 mm)</b>						
28206	6 Holes	7	12	63	—	50
28207	7 Holes	7	12	72	—	50
28210	10 Holes	7	12	91	—	50
28212	12 Holes	7	12	116	—	50
28215	15 Holes	7	12	132	—	50
28220	20 Holes	7	12	165	—	50
28225	25 Holes	7	12	203	—	50
25230	30 Holes	7	12	252	—	50
<b>Panel Earthing Connectors (10x15 mm)</b>						
28407	7 Holes	10	15	100	90	50
28410	10 Holes	10	15	134	124	50
28412	12 Holes	10	15	157	147	50
28415	15 Holes	10	15	190	180	50
28420	20 Holes	10	15	265	255	50



Order Code	Type	Box Qty.
<b>Equipotential Busbar (250 A-5x20 mm)</b>		
28907	1 input - 7 Output	50
28910	1 input - 10 Output	50
28914	1 input - 14 Output	50
<b>Equipotential Busbar (5x30 mm)</b>		
28937	1 input - 7 Output	50
28940	1 input - 10 Output	50
28944	1 input - 14 Output	50
<b>Equipotential Busbar (Double-Sided 3x50 mm)</b>		
28957	1 input - 7 Output	50
28960	1 input - 11 Output	50
28964	1 input - 15 Output	50

# Panel Materials

## Mini Plugin Terminals (PA66,Vo)

Modul	Output	Code Beige	Code Grey	Code Black	Code Blue	Code Brown	Code Red	Code Yellow	Code Green	Box Qty.
24 Amps 2,5-4 mm <sup>2</sup>										
1	1+1	21201	21211	21221	21231	21241	21251	21261	21271	100

NOTE: It can be produced as 1+1, 1+3, 1+5, 1+7 modules upon request.



24 Amps 2,5-4 mm<sup>2</sup>

Modul	Code Beige	Code Grey	Code Black	Code Blue	Code Brown	Code Red	Code Yellow	Code Green	Box Qty.
15x5 Rail Stopper									
Rail Stopper	21100	21110	21120	21130	21140	21150	21160	21170	
Rail Aluminium	21101	—	—	—	—	—	—	—	



15x5 Rail Stopper

Order Code	Modul	Product Description	Box Qty.
Numerator			
20500	Dekafix Unprinted	50 Pieces Single Piece	500



Numerator



# Panel Materials

## Terminal and Panel Materials



Socket Klemens

### Socketed Terminal Strips

Order Code	Producty Description	Box Qty.
<b>Socket Terminal</b>		
23118	Black 2 Lines	50
23119	Black 3 Lines	50
23117	Black 12 Lines	50
23112	White 2 Lines	50
23113	White 3 Lines	50
23110	White 12 Lines	50



Plug-in Modular Terminals

### Socketed Terminal Strips

Order Code	Producty Description	Box Qty.
<b>Plug-in Modular Terminals</b>		
23122	2 Lines (White)	50
23123	3 Lines (White)	50
23128	2 Lines (Black)	50
23129	3 Lines (Black)	50

### Butt Connection Terminals



Butt Connection Terminals

Order Code	Producty Description	No	Connectable Cables						Box Qty.
<b>Connection Terminals</b>									
21030		No:3	10-16mm <sup>2</sup>	41	1x16	2x6	3x4	4x2,5	360 / 30x12
21040		No:4	16-25mm <sup>2</sup>	57	1x25	2x10	4x6	5x4	300 / 30x10
21050		No:5-6	35-50mm <sup>2</sup>	101	1x35	2x25	4x10	6x6	160 / 20x8
21060	Double screws	No:7	50-70mm <sup>2</sup>	125	1x70	2x35	4x16	6x10	96 / 16x6
21070	Double screws	No:8	95-120mm <sup>2</sup>	160	1x120	2x70	4x25	5x16	48 / 8x6
21055	Single Screw	No:7	50-70mm <sup>2</sup>	125	1x70	2x35	4x16	6x10	96 / 16x6



Porcelain Connectors

### Porcelain Terminal Blocks

Order Code	Producty Description	No	max.	Current
<b>Porcelain Terminal Blocks</b>				
22515	1 Line	No.1	4	24
22510	2 Lines	No.1	4	24
22511	3 Lines	No.1	4	24
22520	2 Lines	No.2	6	41
22521	3 Lines	No.2	6	41
22535	1 Line	No.3	10	57
22530	2 Lines	No.3	10	57

# Panel Materials

## Terminal Strips

## Heat Resistant Thermoplastic Body

Order Code	Type	mm <sup>2</sup>	Connection	Current (A)	Box Qty.
<b>Steel Inside Terminal Strips</b>					
22710	No.1	2.5-4	12 Pcs.	—	50

## MS 58 Contacts

<b>Heat Resistant Terminal Strips (130 °C)</b>					
22010	No.1	2.5-4	12 Pcs.	32	50
22020	No.2	4-6	12 Pcs.	41	50
22030	No.3	6-10	10 Pcs.	57	50
22040	No.4	10-16	6 Pcs.	76	50
22050	No.5	16-25	6 Pcs.	101	50
<b>High Heat Resistant Terminal Strips (160 °C)</b>					
22110	No.1	2.5-4	12 Pcs.	32	50
22120	No.2	4-6	12 Pcs.	41	50
22130	No.3	6-10	10 Pcs.	57	50
22140	No.4	10-16	6 Pcs.	76	50
22150	No.5	16-25	6 Pcs.	101	50
22133	No.3	6-10	3 Pcs.	57	50
<b>Polycarbonate High Heat Resistant Terminal Strips (160 °C)</b>					
22210	No.1	2.5-4	12 Pcs.	32	50
22220	No.2	4-6	12 Pcs.	41	50
22230	No.3	10	10 Pcs.	57	50
22240	No.4	16	6 Pcs.	76	50
22250	No.5	20	6 Pcs.	101	50
<b>With Screw Protection, High Temperature Terminal Strips</b>					
22310	No.1	2.5-4	12 Pcs.	32	50
22320	No.2	2.5-4	12 Pcs.	41	50
22330	No.3	2.5-4	10 Pcs.	57	50
<b>High Temperature Resistant</b>					
22111	No.1	2.5-4	1 Pcs.	32	50
22112	No.1	2.5-4	2 Pcs.	32	50
22113	No.1	2.5-4	3 Pcs.	32	50
<b>High Temperature</b>					
22311	No.1	2.5-4	1 Pcs.	32	50
22312	No.1	2.5-4	2 Pcs.	32	50
22313	No.1	2.5-4	3 Pcs.	32	50
<b>Standart Terminal Strips</b>					
23210	No.1	2.5-4	12 Pcs.	32	50
23220	No.2	4-6	12 Pcs.	41	50
23230	No.3	6-10	10 Pcs.	57	50
23240	No.4	10-16	6 Pcs.	76	50
23250	No.5	16-25	6 Pcs.	101	50
<b>Standard Terminal Strips, With Head Resist</b>					
23310	No.1	2.5-4	12 Pcs.	32	50
23320	No.2	4-6	12 Pcs.	41	50
23330	No.3	6-10	10 Pcs.	57	50
23340	No.4	10-16	6 Pcs.	76	50
23350	No.5	16-25	6 Pcs.	101	50



# Panel Materials

## Panel Montage Rails

Order Code	Product Description	Size	Box Qty.	Unit Price TL
<b>Metal Mountage Rails - (15 mm x 5 mm) / Thickness: 0,8 mm</b>				
90071	Mountage Rails	1 m	40	18,00
90081	Mountage Rails	30 cm	40	6,00
<b>Metal Mountage Rails With Holes - (15 mm x 5 mm) / Thickness: 0,8 mm</b>				
90085	Mountage Rails	1 m	40	18,00
90096	Mountage Rails	30 cm	40	6,00
<b>Metal Mountage Rails - (35 mm x 7,5 mm) / Thickness: 1 mm</b>				
90030	Mountage Rails	30 cm	40	7,65
90001	Mountage Rails	1 m	40	25,50
90002	Mountage Rails	2 m	40	51,00
90003	Mountage Rails	3 m	40	76,50
<b>Metal Mountage Rails With Holes - 35 mm x 7,5 mm) / Thickness: 1 mm</b>				
90130	Mountage Rails	30 cm	40	7,65
90101	Mountage Rails	1 m	40	25,50
90102	Mountage Rails	2 m	40	51,00
90103	Mountage Rails	3 m	40	76,50
<b>Metal Mountage Rails With Holes - (35 mm x 15 mm) / Thickness: 1,5 mm</b>				
99401	Mountage Rails	1 m	40	43,50
99402	Mountage Rails	2 m	40	145,00
99451	Mountage Rails	1 m	40	290,00
99452	Mountage Rails	2 m	40	435,00
<b>Aluminium Mountage Rails - (35 mm x 7,5 mm)</b>				
90230	Mountage Rails	30 cm	40	33,00
90201	Mountage Rails	1 m	40	110,00
90202	Mountage Rails	2 m	40	220,00
90203	Mountage Rails	3 m	40	330,00
<b>Aluminium Mountage Rails With Holes - (35 mm x 7,5 mm)</b>				
90231	Mountage Rails	30 cm	40	33,00
90211	Mountage Rails	1 m	40	110,00
90212	Mountage Rails	2 m	40	220,00
90213	Mountage Rails	3 m	40	330,00
<b>MG Type Aluminium Mountage Rails - (35 mm x 7,5 mm)</b>				
90233	Mountage Rails	30 cm	40	54,00
90241	Mountage Rails	1 m	40	180,00
90242	Mountage Rails	2 m	40	360,00
90243	Mountage Rails	3 m	40	540,00
<b>MG Type Aluminium Mountage Rails With Holes - (35 mm x 7,5 mm)</b>				
90234	Mountage Rails	30 cm	40	54,00
90251	Mountage Rails	1 m	40	180,00
90252	Mountage Rails	2 m	40	360,00
90253	Mountage Rails	3 m	40	540,00

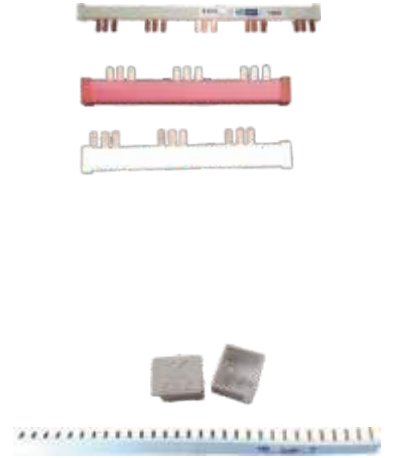
Order Code	Product Description	Size	Box Qty.	Unit Price TL
<b>Aluminium Mountage Rails (35 mm x 7,5 mm)</b>				
90290	Mountage Rails		40	14,50



# Panel Materials

## Section Rails & Neutral Earthing Bars

Order Code	Type	Current (A)	Modul	Box Qty.
<b>Tribar (three-phase) Pin Type (3 Pole)</b> <span style="float: right;">Design Registration Number 2008 114737</span>				
91730	Pin Type 53 cm	80	10	24
91760	Pin Type 106 cm	80	20	24
91704	Pin Type 2 modul	80	2	25
91707	Pin Type 3 modul	80	3	25
91710	Pin Type 4 modul	80	4	25
91713	Pin Type 5 modul	80	5	25
91930	Pin Type 53 cm	120	10	24
91960	Pin Type 106 cm	120	20	24
91999	Tribar Side Cover - Right /Left(2 Adet)	—	—	250
<b>Monobar (Monophase) Pin Type (1 Pole)</b>				
91030	Pin Type 53 cm	63	30	50
91060	Pin Type 106 cm	63	60	50
91012	Pin Type 12 Modul	63	12	50
91090	Pin Type 53 cm	100	30	50
91120	Pin Type 106 cm	100	60	50



Order Code	Type	Lug	Box Qty.	
<b>(Neutral) Grounding Busbar</b>				
92040	15 x 1,5 mm x 1 m	31	40	
92080	15 x 1,5 mm x 1 m	61	40	
92120	15 x 2 mm x 1 m	31	40	
92160	15 x 2 mm x 1 m	61	40	
92310	15 x 3 mm x 1 m	31	40	
92320	15 x 3 mm x 1 m	61	40	
92300	Connection Set	—		
Order Code	Type	(mm)	Thickness(mm)	Box Qty.
<b>BK Series Busbars Terminals</b>				
24000	BK 16/5	1,5-16 mm	5 mm	100
24001	BK 50/5	1,5-16 mm	10 mm	50



# Panel Materials

## Signal Lamps/Dowel/W-Otomat Bracket



Order Code	Section	Box Qty.
<b>Rail Type Signal Lights</b>		
68001	MONO PHASE DIN Rail Type Signal, With Yellow LED 220 VAC / 24 V AC – DC	10
68002	MONO PHASE DIN Rail Type Signal, With Red LED 220 VAC / 24 V AC – DC	10
68003	MONO PHASE DIN Rail Type Signal, With Green LED 220 VAC / 24 V AC – DC	10
68000	THREE PHASE DIN Rail Type Signal, With Yellow/Red/Green LED 220 VAC / 24 V AC – DC	10



Order Code	Dimension	Colour	Box Qty.
<b>König Dowel</b>			Total Registration Number: 2001 02521
30005	5	Grey	1000
30006	6	Red	1000
30007	7	Green	1000
30008	8	Blue	1000
30010	10	Orange	1000
30012	12	Grey	1000



Order Code	Colour	Box Qty.
<b>W-Otomat Bracket</b>		
25012	RAL 9001 - White	100



**Compensation Solutions**  
**Energy Measurement Solutions**  
**Energy Control and Protection Solutions**  
**Energy Distribution Solutions**

Call Center: 444 4 575 (From All Over Turkey)

KRK

Dudullu Organize Sanayi Bölgesi Mahallesi, DES Sanayi Sitesi A8 Blk. 104 Sk. No: 42 - 48 İSTANBUL

Faks: 0216 612 36 40 Sipariş Fax: 0216 499 38 29



[www.krk.com.tr](http://www.krk.com.tr)



Please  
Have your camera read

Everything you are  
looking for Here



[www.krk.com.tr](http://www.krk.com.tr)